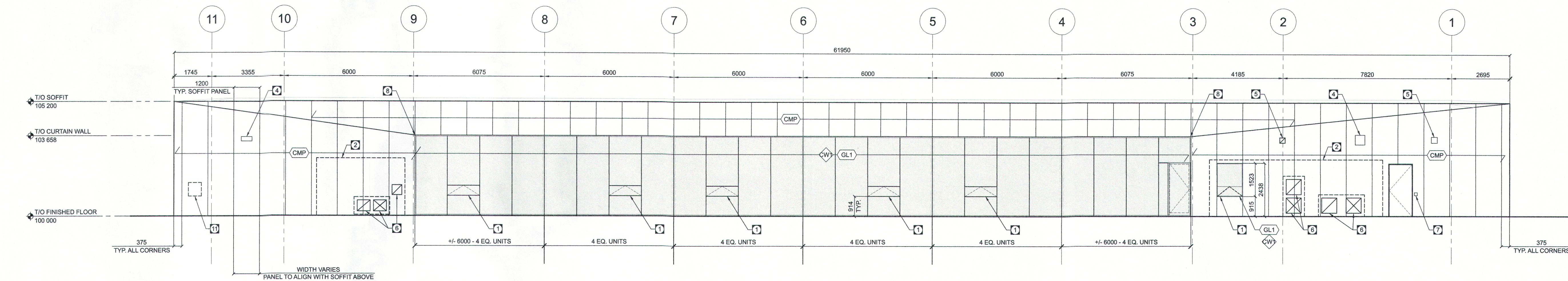
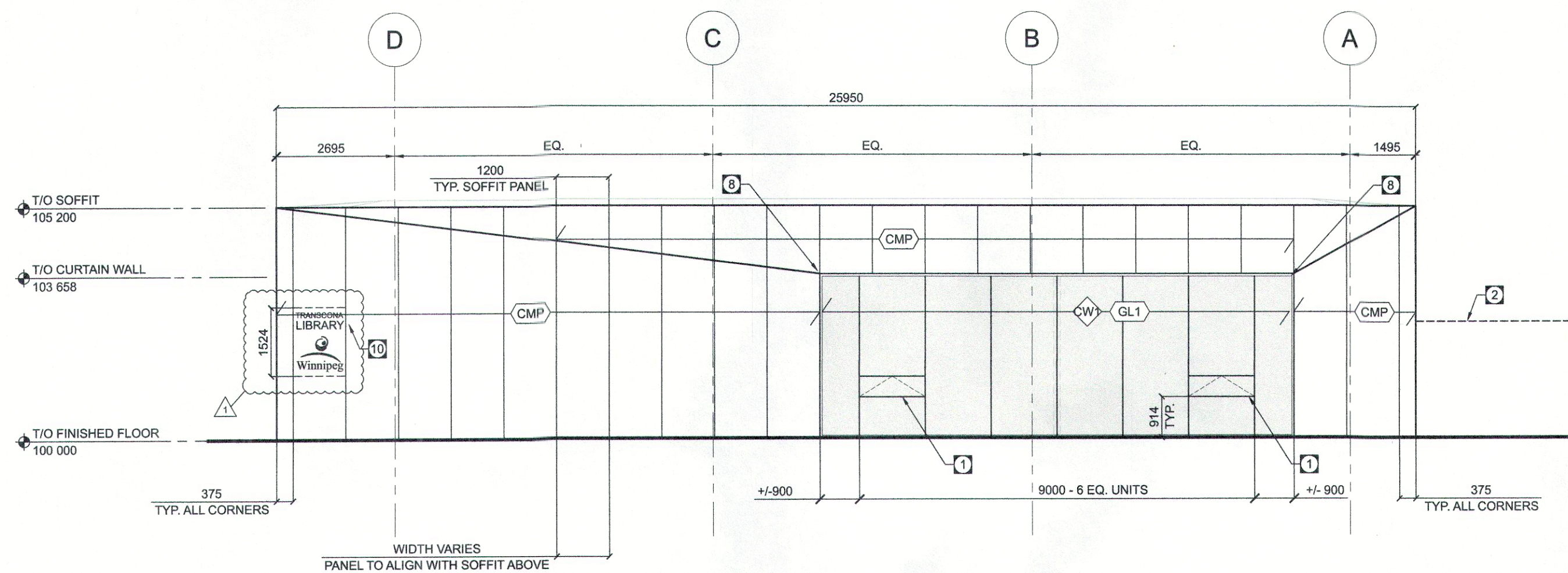


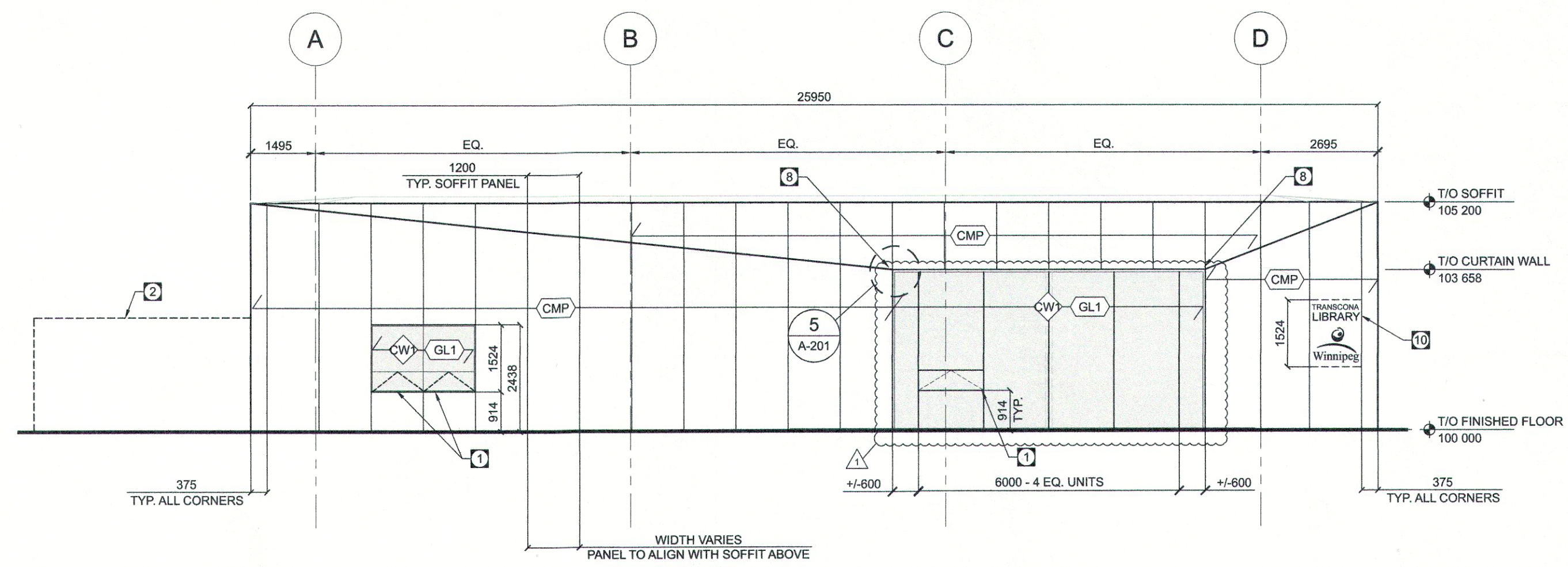
1 SOUTH ELEVATION  
A-201 1:100



2 NORTH ELEVATION  
A-201 1:100



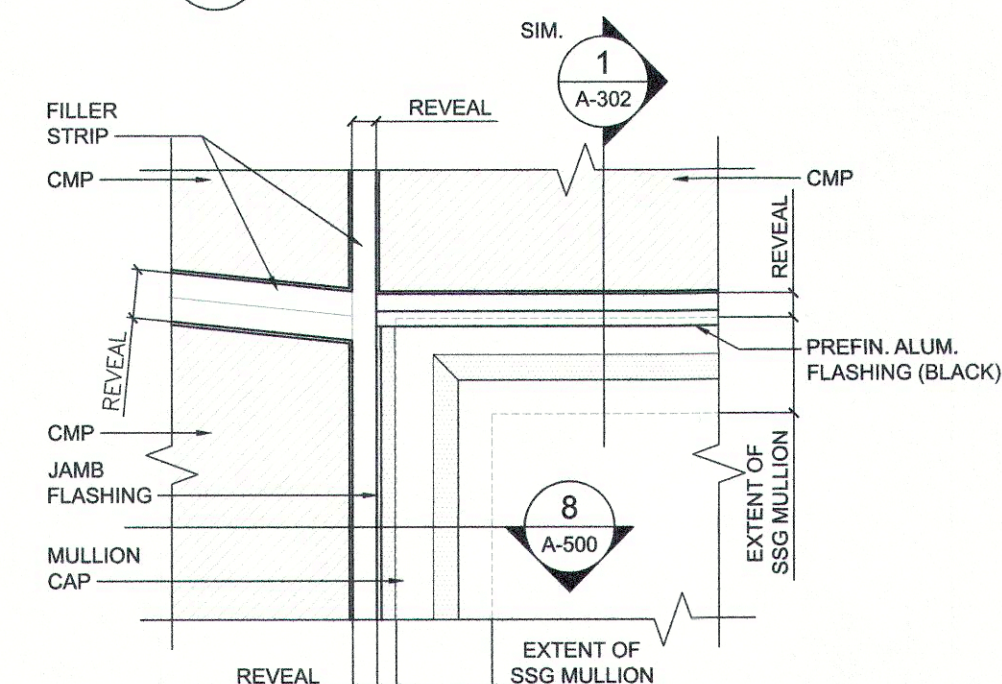
3 EAST ELEVATION  
A-201 1:100



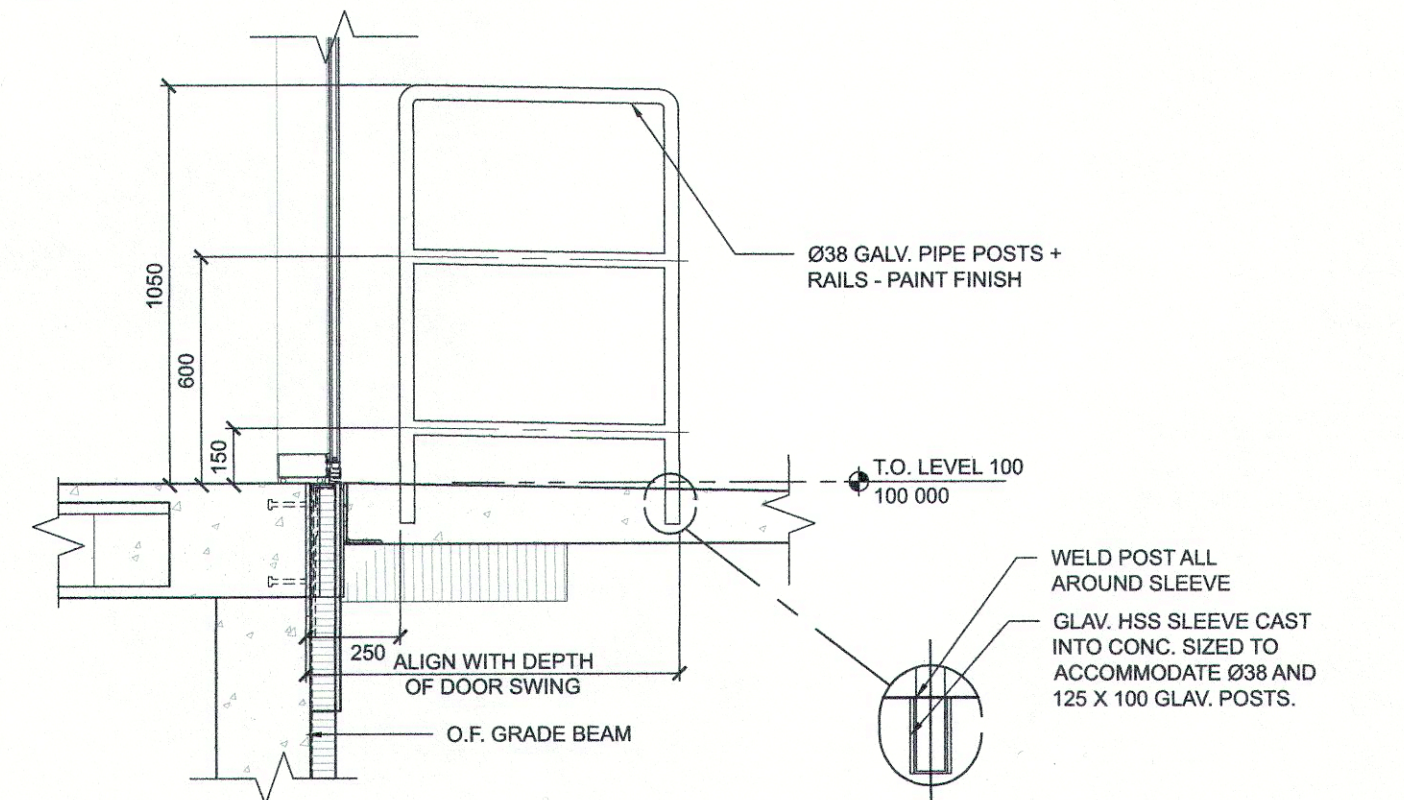
4 WEST ELEVATION  
A-201 1:100

KEYED NOTES

- 1 ZERO SIGHTLINE 457mm HIGH AWNING WINDOW INSTALLED IN CURTAIN WALL FRAMING. AWNING WINDOW TO BE WIDTH OF WINDOW UNIT (VARIES) - REFER TO WALL SECTIONS AND SECTION 08 44 30.
- 2 METAL FENCE AROUND MECHANICAL UNITS - REFER TO MAIN FLOOR PLAN AND SECTION 32 31 19.
- 3 AUTOMATIC SLIDING DOOR ENTRANCE - REFER TO DOOR SCHEDULE AND SECTION 08 42 29.
- 4 MECHANICAL LOUVRE CENTERED ON PANEL AS SHOWN - REFER TO MECH. COLOUR TO MATCH CMP.
- 5 MECHANICAL WALL CAP CENTERED ON PANEL AS SHOWN - REFER TO MECH. COLOUR TO MATCH CMP.
- 6 MECHANICAL RTU EQUIPMENT PENETRATIONS - REFER TO MECH.
- 7 CARD ACCESS DEVICE - REFER TO DOOR AND FRAME SCHEDULE.
- 8 ALIGN PANEL REVEAL WITH EDGE OF CURTAINWALL AS SHOWN - REFER TO S/A-501 AND PLAN DETAILS.
- 9 MOUNT BARRIER-FREE DOOR OPERATOR ANOD. ALUM. SIDELIGHT - REFER TO SECTION 08 06 10, PLAN DETAILS & ELEC.
- 10 EXTENT OF BUILDING SIGNAGE, SIGNAGE TO BE PUSH-THRU LETTER SIGNAGE ROUTERED INTO COMPOSITE PANEL AND BACKLIT.
- 11 HYDRO METER APPROXIMATE LOCATION TO BE CONFIRMED BY ARCHITECT PRIOR TO INSTALLATION.

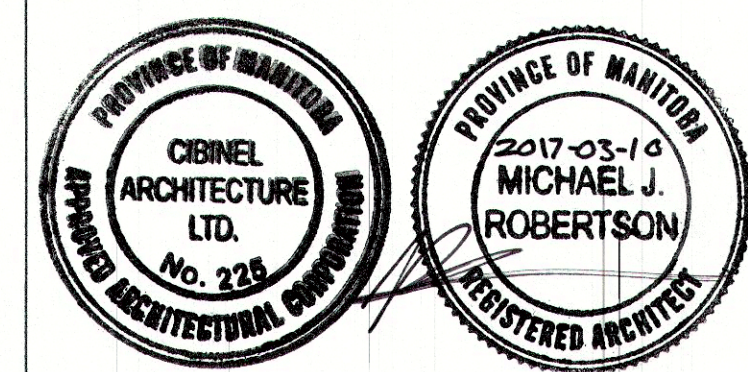


5 TYP. CMP CORNER DETAIL  
A-201 1:5



6 DOOR GUARD DETAIL  
A-201 1:20

No.	DATE	REVISION / ISSUANCE
2	2017.03.10	ISSUED FOR ADDENDUM #1
1	2017.02.17	ISSUED FOR CONSTRUCTION



Architect  
**Cibinel Architecture Ltd**  
560 ACADEMY ROAD, WINNIPEG, MB R3N 0E3

Owner  
**Winnipeg**  
Project  
**TRANSCONA LIBRARY**  
1500 PLESSIS ROAD, WINNIPEG, MB

Sheet Title  
**EXTERIOR BUILDING ELEVATIONS & NOTES**

Project No. 1487  
Sheet **A-201**